

SILOS SECT.270-250 CM 250x150xH.272

SILOS FOR TRENCHES

Fattori srl manufactures silos in accordance with the requirements of European standard EN 15258:2008 which imposes strict rules regarding construction and technical specifications:

- Rck 40 concrete
- guaranteed durability for environments XA2
- high quality B450C steel calculated to ensure the required capacity
- bar cover 3.00 cm
- production lots that allow the traceability of the raw materials used.

These are self-stable inverted T modules and their use offers several advantages:

- speed of execution
- possibility to alter the structures expanding the capacity if necessary
- flexibility of assembly allowing the creation of tanks of various types and sizes
- easy and quick to move and handle
- in-wall interventions reduced
- low installation costs

These panels are laid out on perfectly flat support strips which will be built on an anti-slip curb. The range of these elements has been studied to meet any demand in relation to the various types of use by varying the dimensions and capacity.



FATTORI
SISTEMI E STRUTTURE IN CEMENTO ARMATO

Via F. Cavallotti, 298 - 25018 Montichiari (Bs-Italy) - Tel. +39 030.963291 - Fax +39 030.9964333
www.gffattori.com - info@gffattori.it

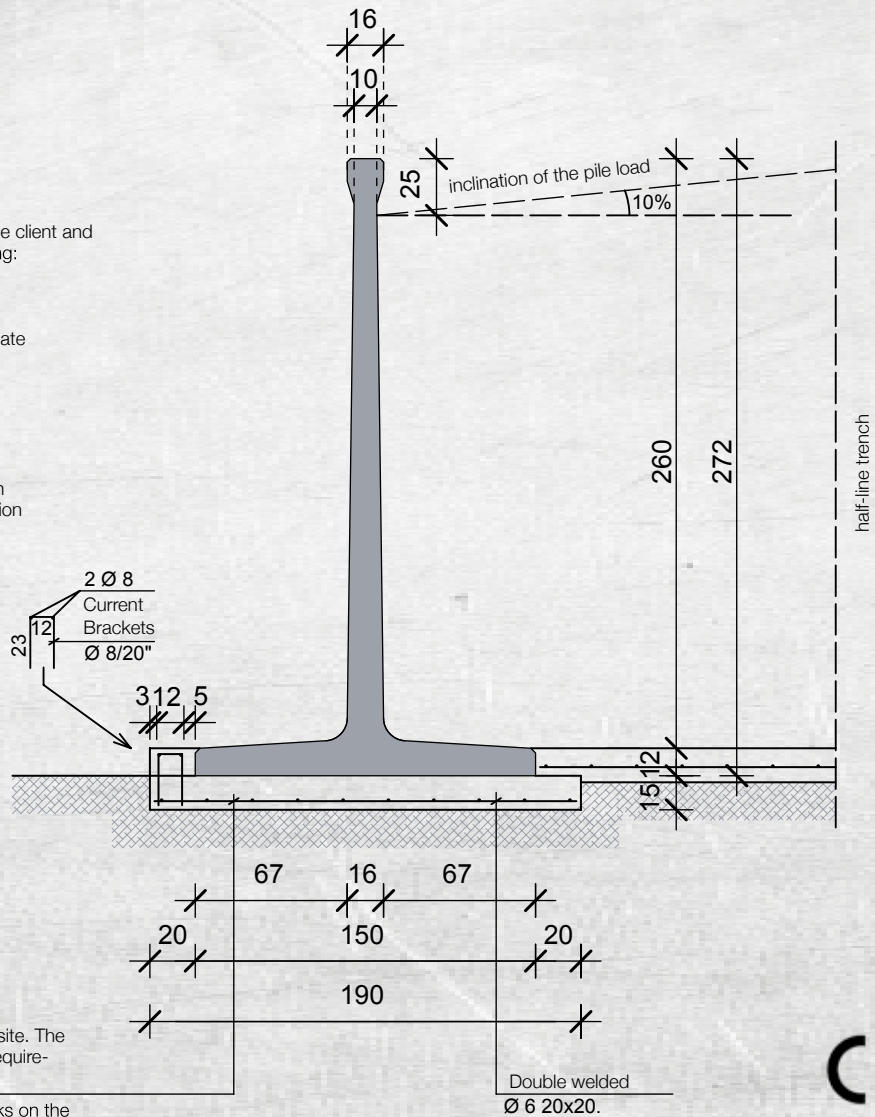
TECHNICAL SPECIFICATIONS

PANEL WEIGHT KG 3380

Works borne by and at the expense of the client and Works Management relating to the flooring:

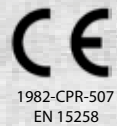
- thickness of the casting
- reinforcement
- concrete exposure class
- drainage systems for collection of leachate and from any slopes.

The anti-slip curb must be reinforced with the foundation and cast after the installation of the prefabricated product.



Concrete foundation to be carried out on site. The thickness is 15 cm for the land capacity requirements as indicated in the table.

Topsoil removal and any refills and/or works on the foundation are to be assessed by and paid by the Client and Works Management.



TECHNICAL SPECIFICATIONS	
WEIGHT OF THE MATERIAL	800-1000 kg/mc
SOIL FRICTION ANGLE	32°
ACCIDENTAL OVERLOAD	1000 kg/mq
TECHNICAL DATA OF PREFABRICATED ELEMENTS	
CONCRETE	R'ck formwork ≥ 20 N/mmq R'ck in 28 days ≥ 40 N/mmq
STEEL B450C checked	Fyk ≥ 450 N/mmq Ftk ≥ 540 N/mmq
EXPOSURE CLASS	XA2
BAR COVER	3,0 cm
BAR FREE INTERSPACE	≥ 2 cm ≥ Ø max
REGULATORY STRUCTURE SPECIFICATIONS	
Class of use	I
Cu	0,70
Soil Type	C
Topographic category	T1

REQUIREMENTS FOR CASTING FOUNDATIONS	
ON SITE BASE DIMENSIONS VALID FOR LAND CAPACITY	Øt,amm(SLE) ≥ 0,80 daN/cm ²
BASES MUST BE MADE FLAT; THE PRODUCTS MUST REST COMPLETELY ON THE BASE	
CONCRETE	R'ck in 28 days ≥ 30 N/mmq
UNLOADING CONSISTENCY CLASS	S3
ANY ADDITION OF WATER ON SITE IS FORBIDDEN	
EXPOSURE CLASS	XC2
BAR COVER	3,0 cm
BAR FREE INTERSPACE	≥ 2 cm ≥ Ø max
STEEL B450C checked	fyk ≥ 450 N/mmq ftk ≥ 540 N/mmq
WELDMESH: STEEL B450A	fyk ≥ 450 N/mmq ftk ≥ 540 N/mmq

The sizes shown are indicative, **FATTORI** reserves the right to make any changes at any time without prior notice.